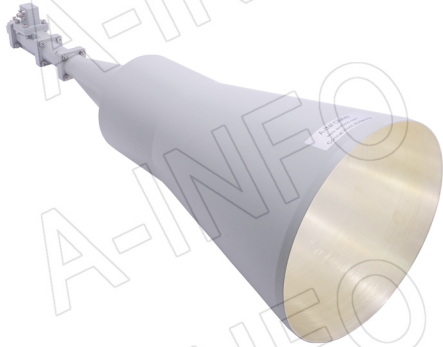


For reference only. See data sheet for the detailed specifications.

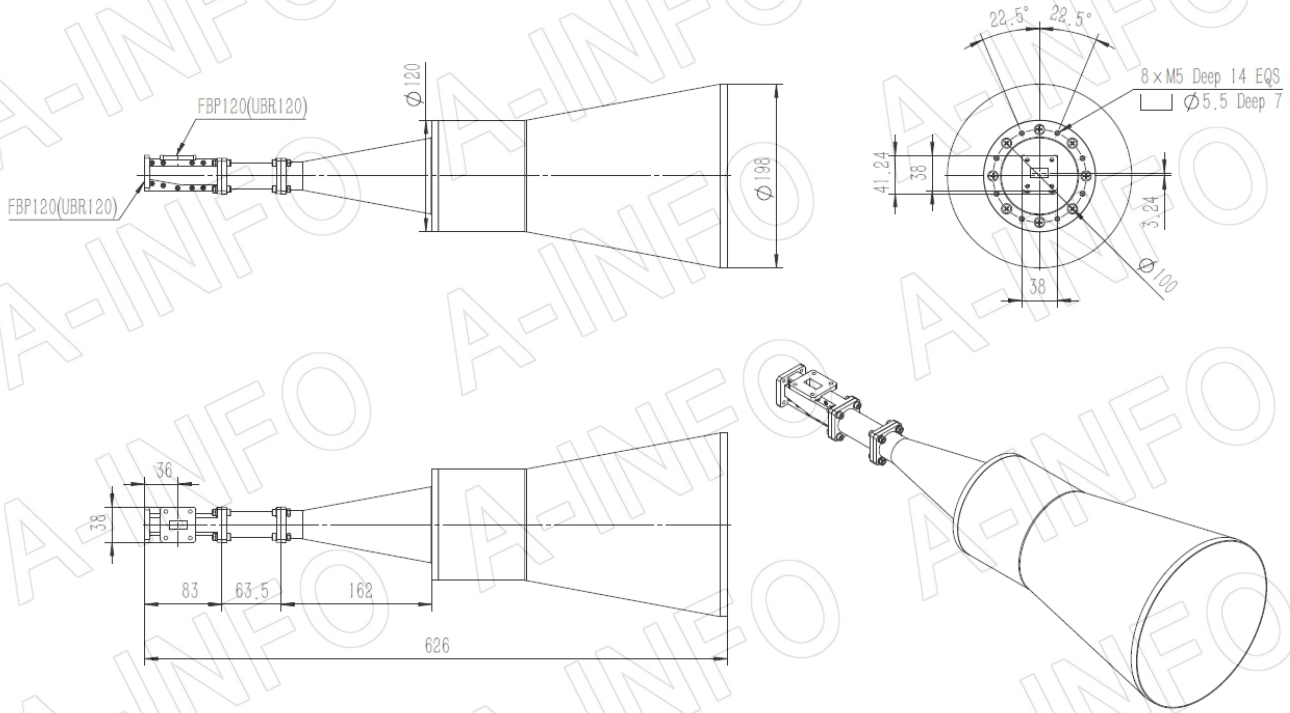
## Technical Specification



Frequency Range(GHz)	10.0 - 13.0
Waveguide	WR75
Gain(dBi)	25 Typ.
Polarization	Dual Linear
3dB Beamwidth(deg)	E Plane: 8 Typ.
	H Plane: 10 Typ.
Cross Pol. Isolation(dB)	45 Typ. ; 35 Min.
Port to Port Isolation(dB)	50 Typ. ; 40 Min.
VSWR	A Type: 1.60:1 Max.
	C Type: 1.80:1 Max.
Output	A Type: FBP120(UBR120)
	C Type: SMA-Female or N-Female or TNC-Female or 7mm or 3.5mm-Female
Material	Al
Finish	Silver Plated and Chemical Conversion Coating, Gray Paint
Size(mm)	A Type: 198 x 198 x 626
	C Type: 198 x 198 x 656
Net Weight(Kg)	A Type: 2.30 Around
	C Type: 2.38 Around

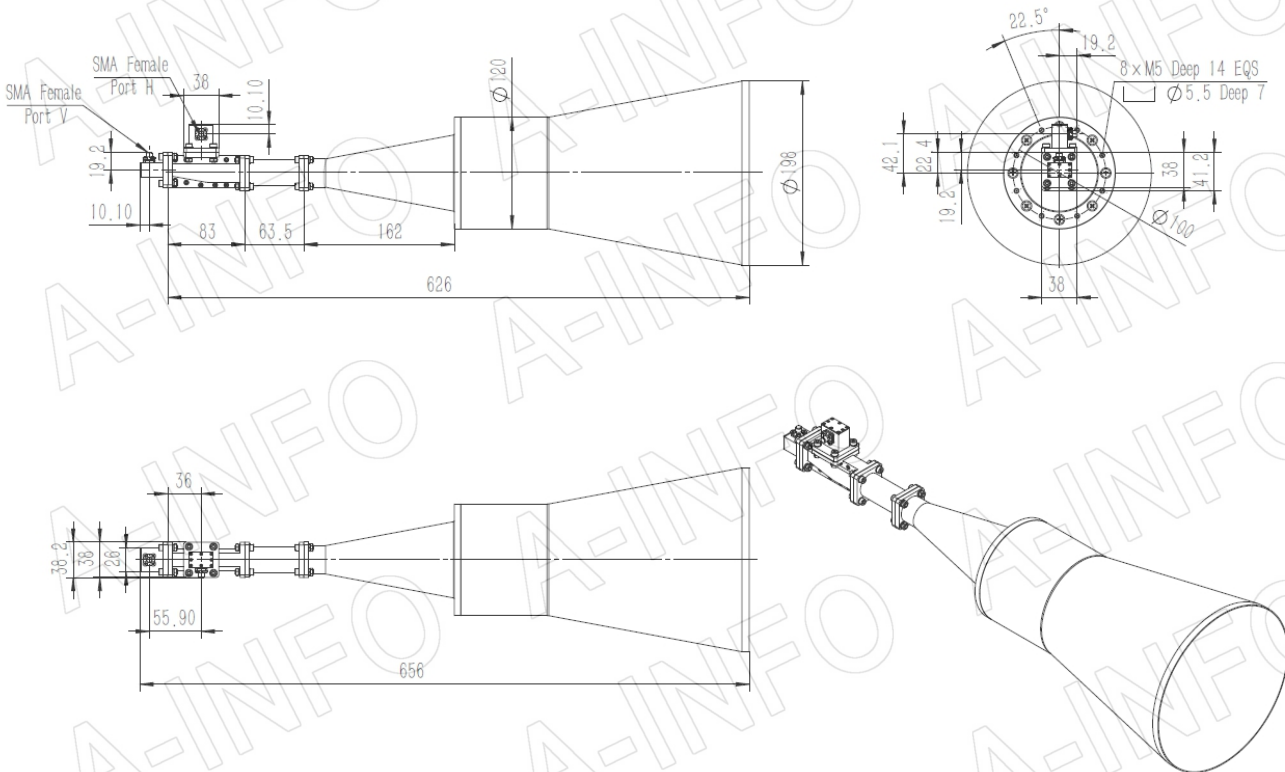
## Outline Drawing (Size: mm)

FBP120 Output (P/N: LB-CNH-75-25-T06-A)



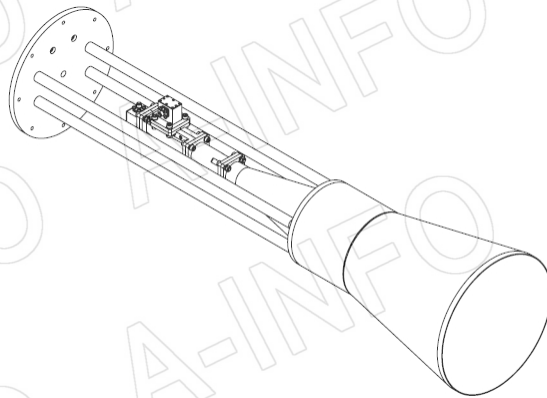
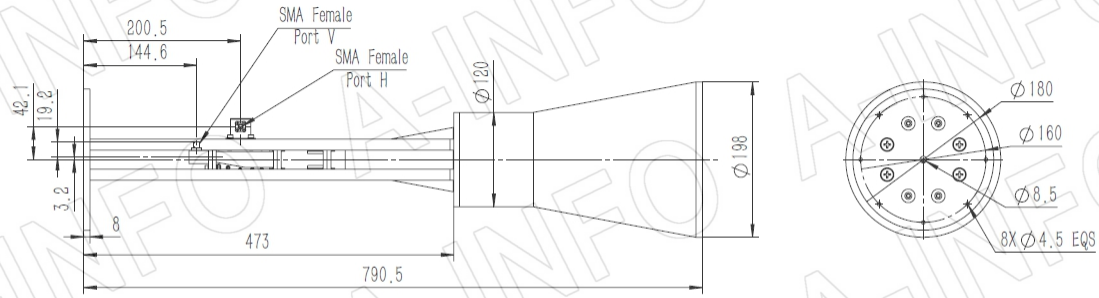
## SMA-Female Output (P/N: LB-CNH-75-25-T06-C-SF)

For N-Female, TNC- Female, 7mm or 3.5mm-Female output outline drawing, please contact A-INFO.



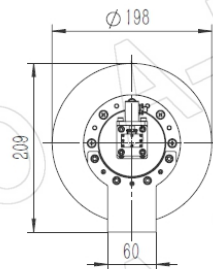
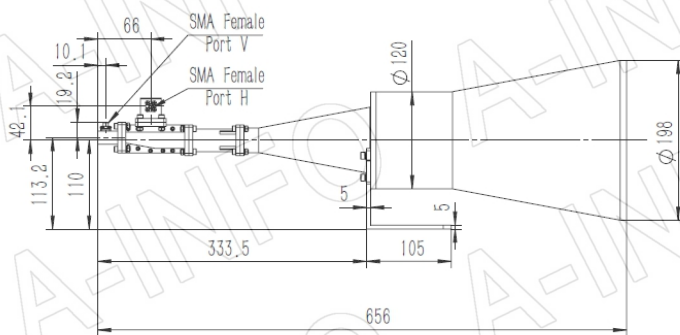
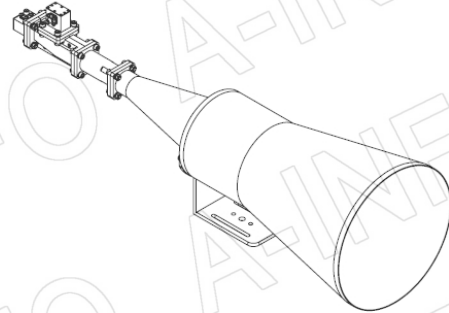
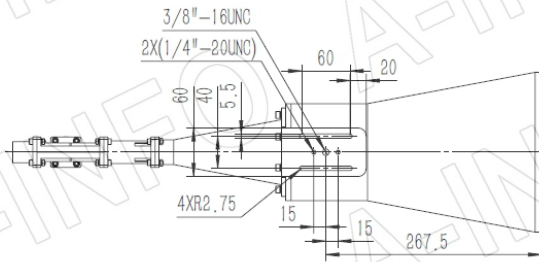
## SMA-Female Output with Round Mounting Bracket (Option, P/N: LB-CNH-75-25-MB)

For N-Female, TNC- Female, 7mm or 3.5mm-Female output outline drawing, please contact A-INFO.

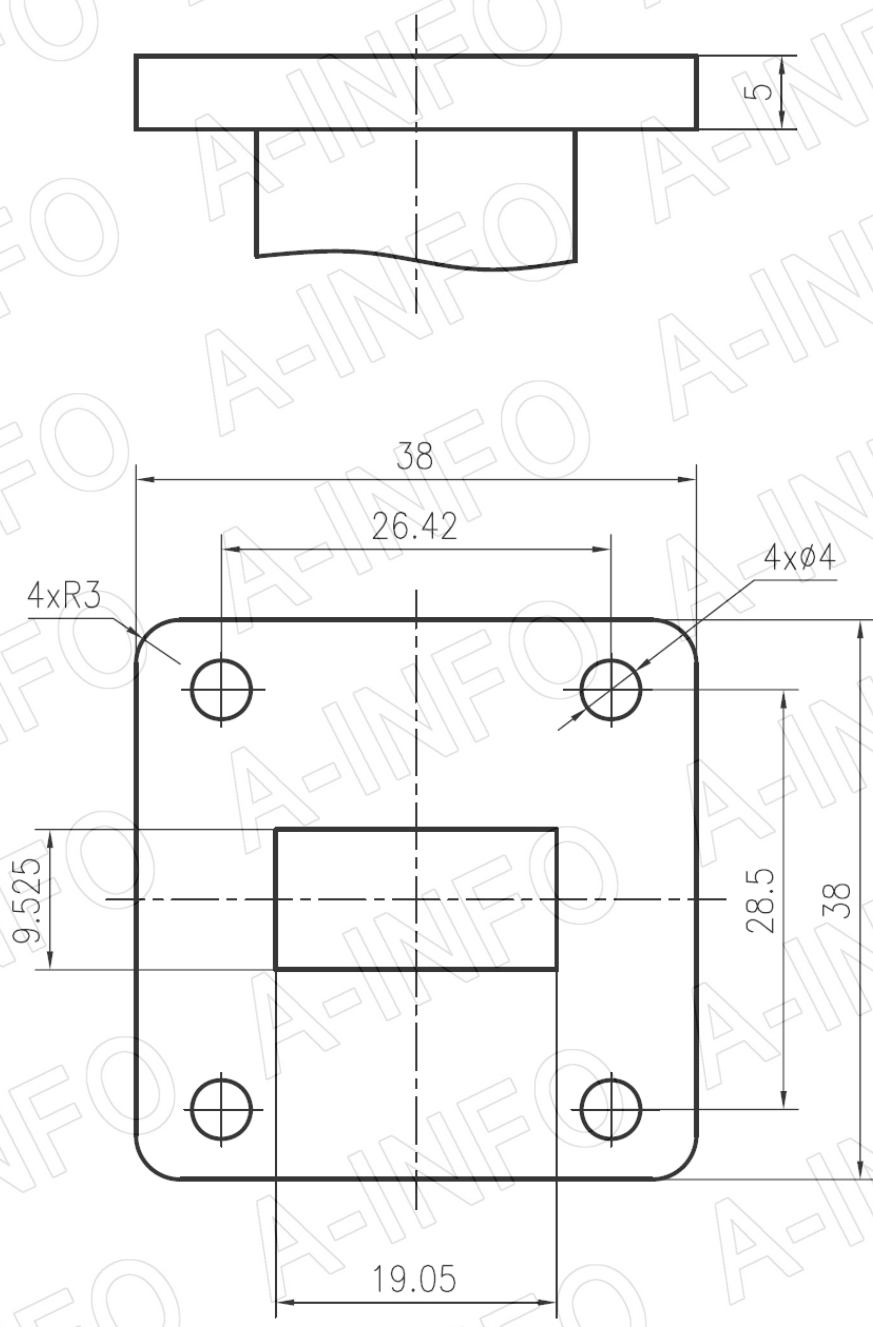


## SMA-Female Output with L Type Mounting Bracket (Option, P/N: LB-CNH-75-25-L)

For N-Female, TNC- Female, 7mm or 3.5mm-Female output outline drawing, please contact A-INFO.



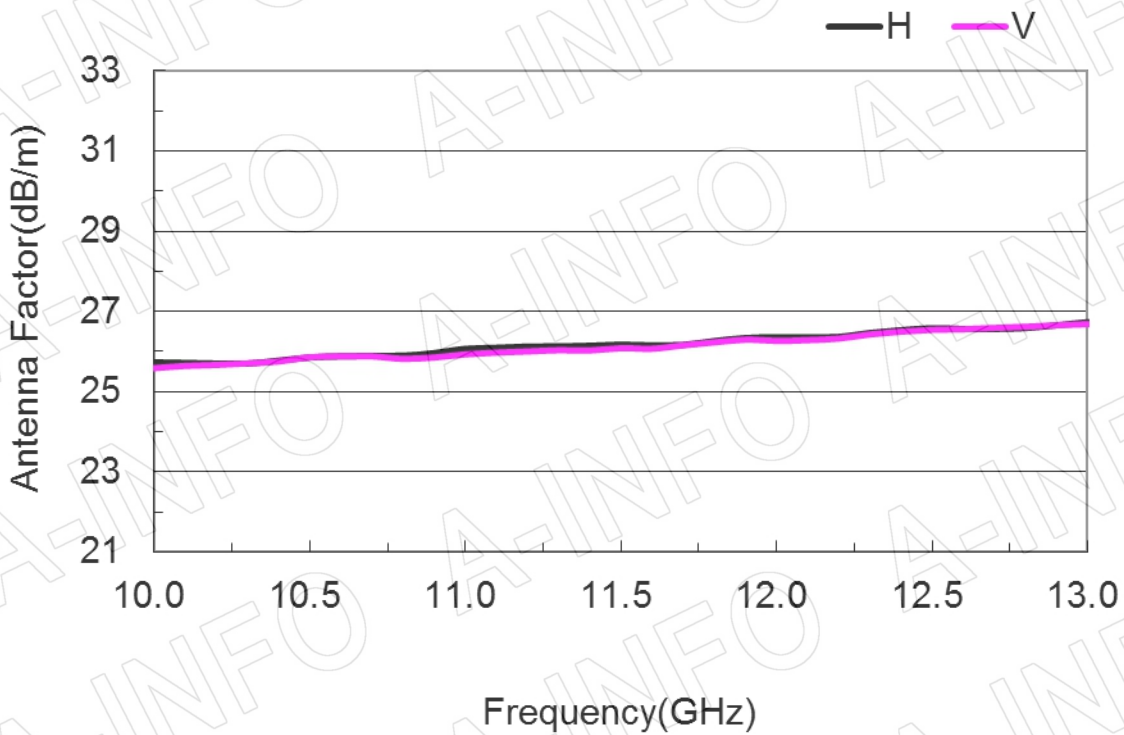
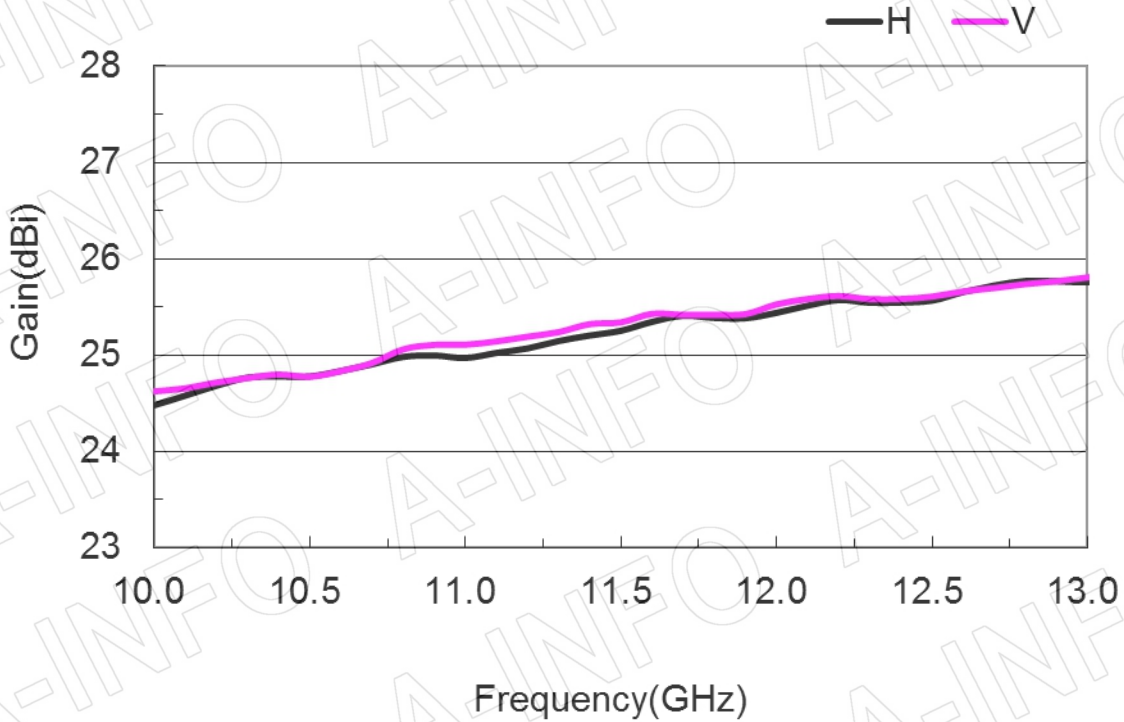
## Flange Drawing (Size: mm)



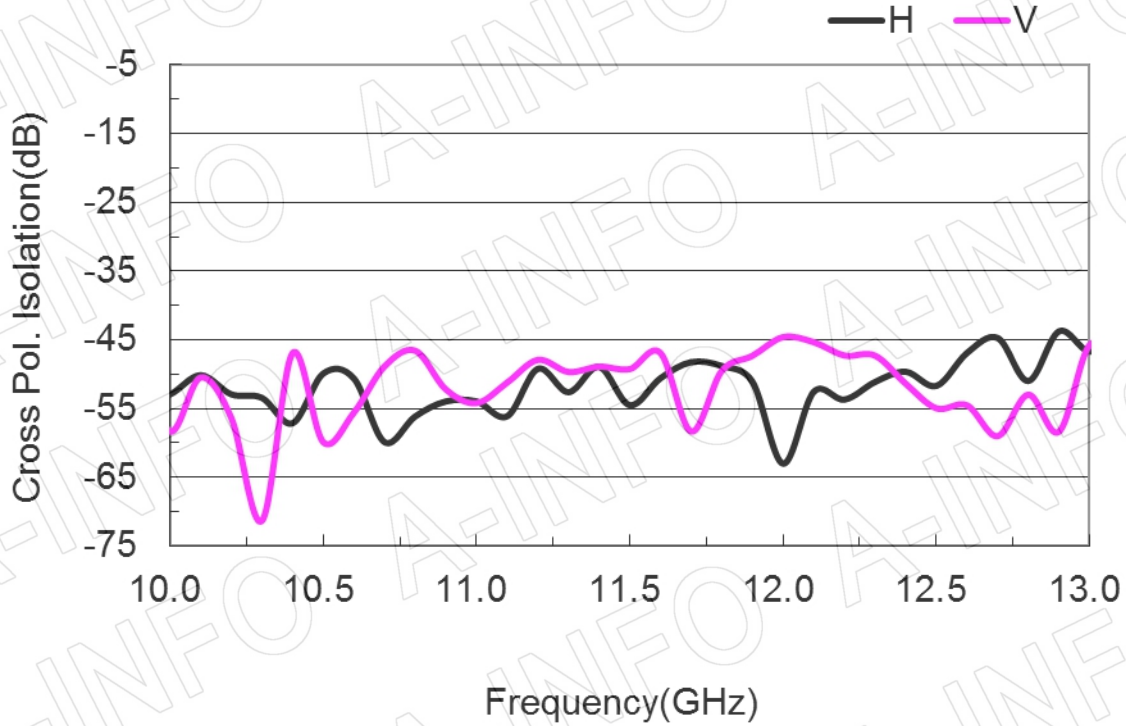
### FBP120

## Test Results

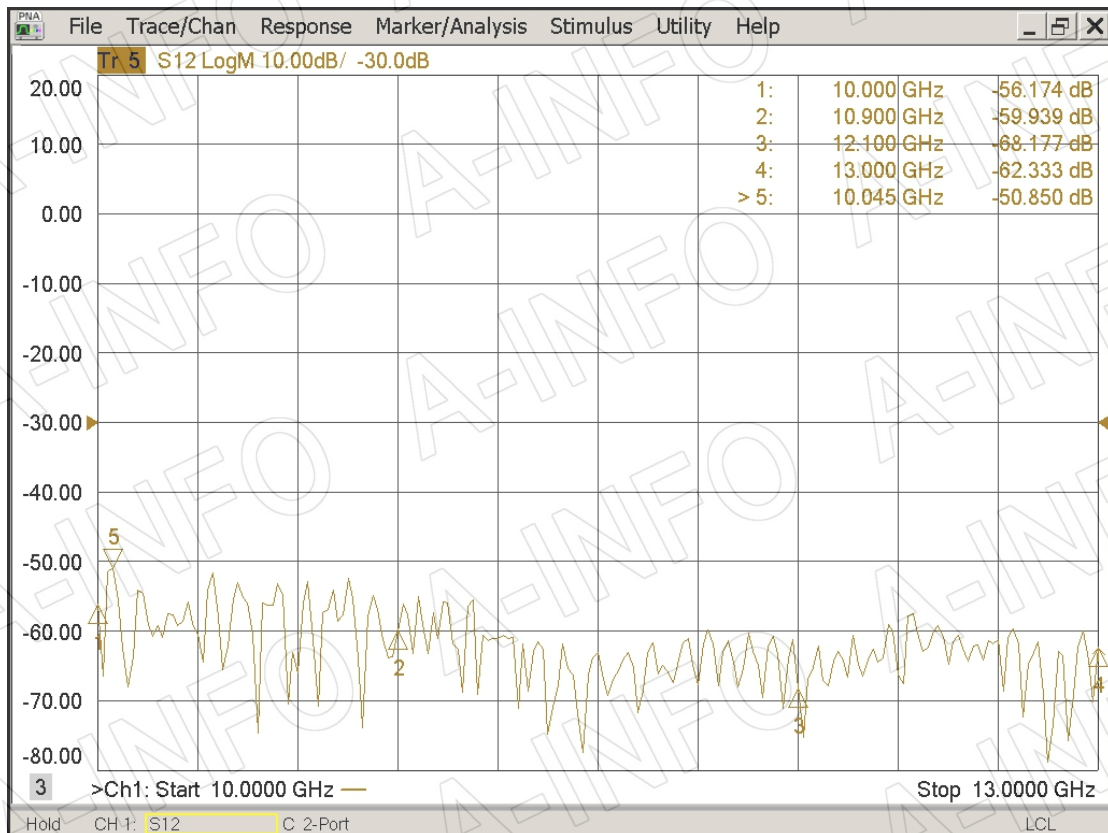
### 1. Gain & Antenna Factor



## 2. Cross Polarization Isolation

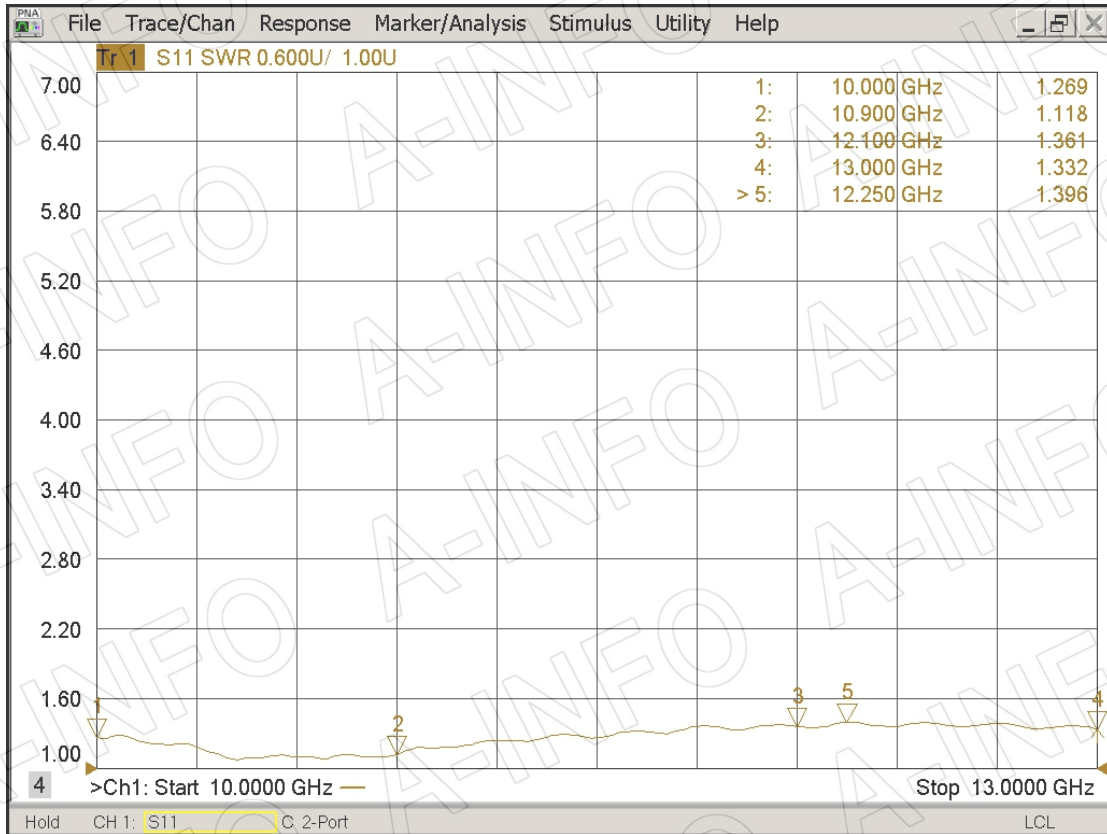


## 3. Port to Port Isolation

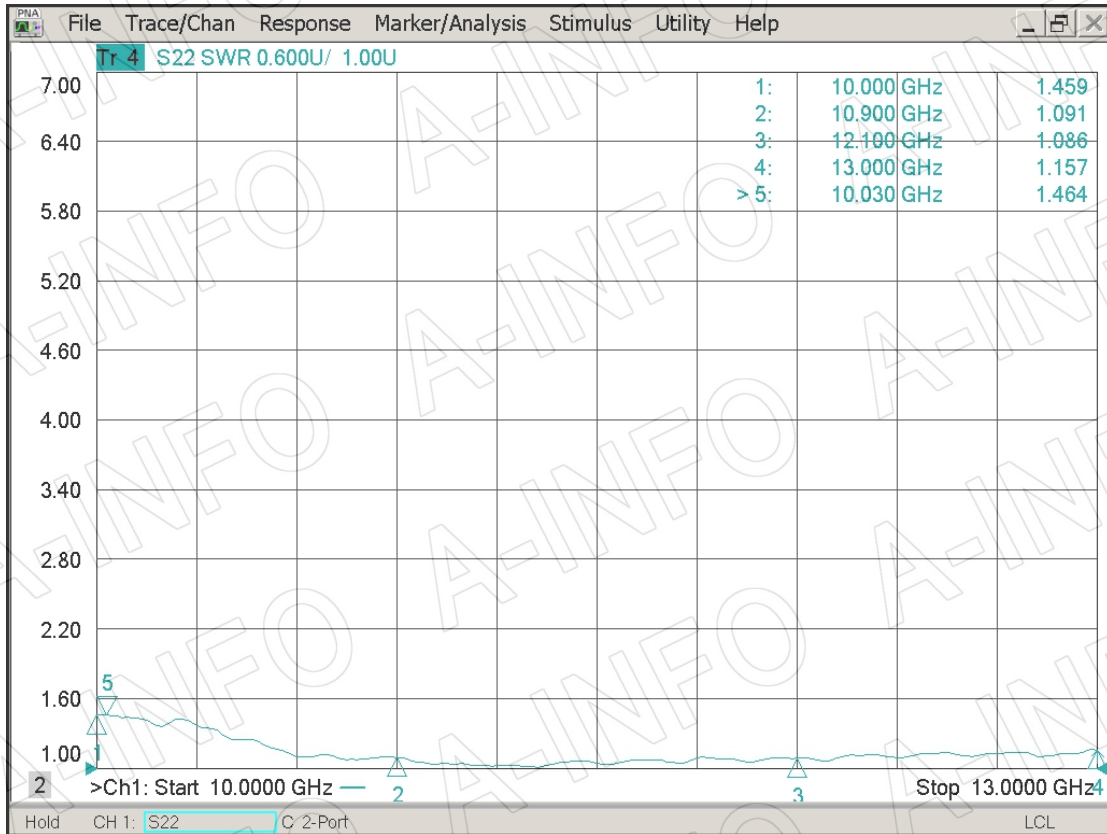


## 4. VSWR\_A Type

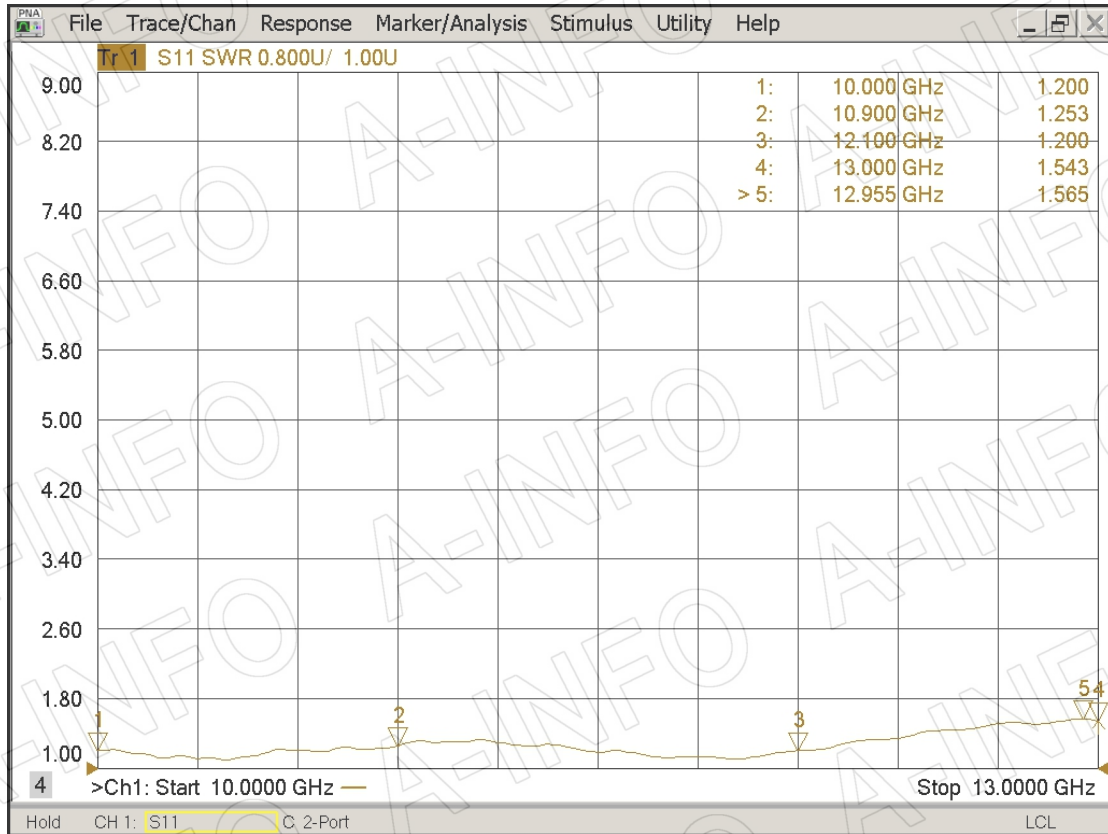
### Port-H



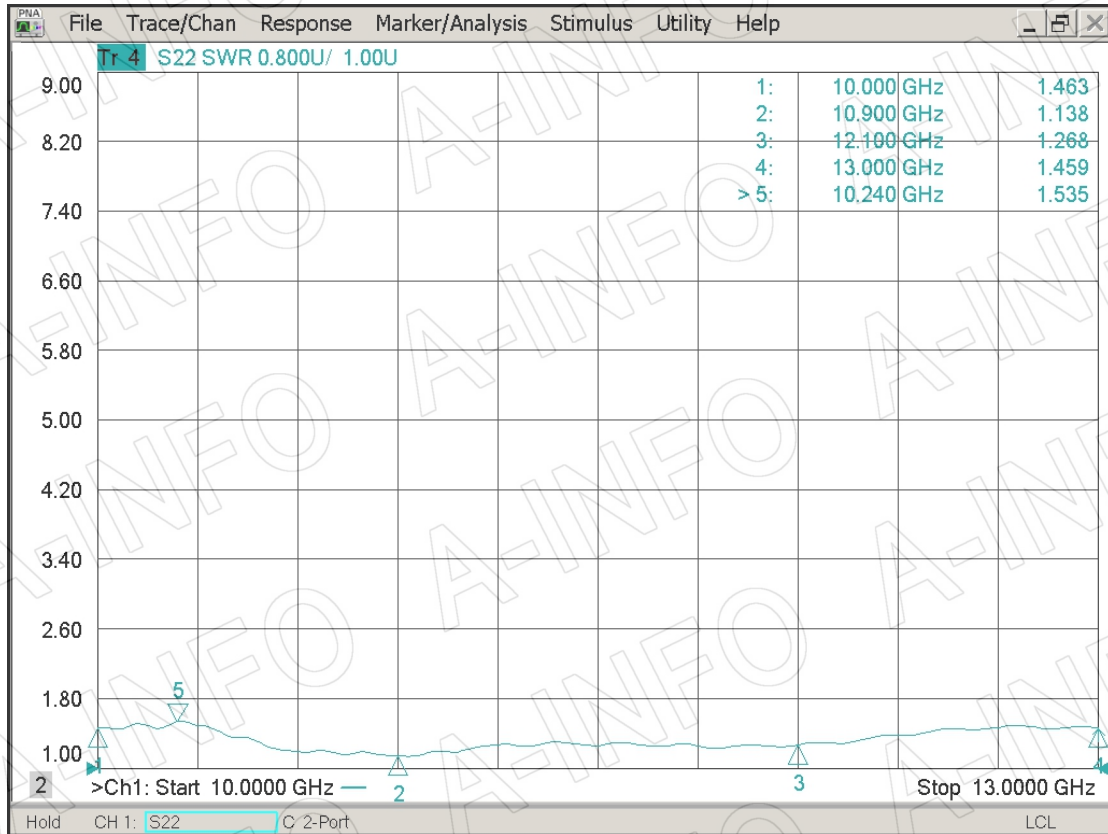
### Port-V



## VSWR\_C Type Port-H



## Port-V





## 5. Pattern

